

**Modular Cooking Range Line
 thermaline 85 - 800 mm Holding
 Cabinet with 2 drawers, GN conform, 1
 Side**

ITEM # _____

MODEL # _____

NAME # _____

SIS # _____

AIA # _____



588649 Holding Cabinet with 2 drawers, one-side
 (MB0ACAHOBO) operated, GN

Short Form Specification

Item No. _____

800 mm wide holding cabinet with 2 drawers, constructed according to DIN 18860_2 with 70 mm recessed plinth. Internal frame for heavy duty sturdiness in stainless steel. Flat surface construction, easily cleanable. Temperature in the cabinet can be set through thermostat, up to a maximum of 120 °C. Cabinet storage space accepts GN 1/1 containers.

IPX5 water resistant certification.

Configuration: One side operated freestanding base.

Main Features

- IPX5 water resistance certification.
- All major components may be easily accessed from the front.
- THERMODUL connection system creates a seamless work top when units are connected to each other thus avoiding soil penetrating vital components and facilitating the removal of units in case of replacement or service.
- Unit constructed according to DIN 18860_2 with 70 mm recessed plinth.
- Temperature in the cupboard can be set through a thermostat to suit different requirements. The maximum temperature is 120°C.

Construction

- 2 mm top in 1.4301 (AISI 304).
- Flat surface construction with minimal hidden areas to easily clean all surfaces
- Storage space in the base of the appliance accepts GN1/1 containers.
- Internal frame for heavy duty sturdiness in stainless steel.

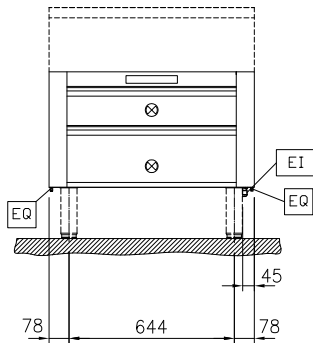
Optional Accessories

- Stainless steel front kicking strip, 800mm width PNC 912634
- Stainless steel side kicking strip left and right, wall mounted, 850mm width PNC 912659
- Stainless steel side kicking strip left and right, back-to-back, 1700mm width PNC 912662
- Stainless steel side panel, 850x700mm, right side, against wall PNC 913003
- Stainless steel side panel, 850x700mm, left side, against wall PNC 913004
- Side reinforced panel only in combination with side shelf, for against the wall installations, right PNC 913261
- Side reinforced panel only in combination with side shelf, for against the wall installations, left PNC 913262
- Stainless steel dividing panel, 850x700mm, (it should only be used between Electrolux Professional thermaline Modular 85 and thermaline C85) PNC 913670

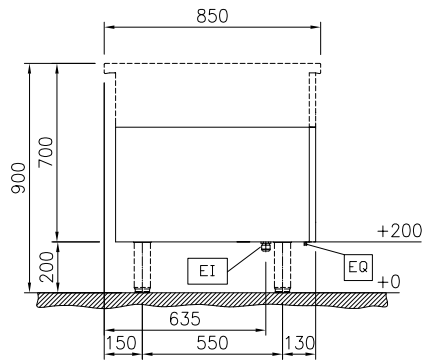
APPROVAL: _____

- Stainless steel side panel, 850x700mm, PNC 913686
flush-fitting (it should only be used
against the wall, against a niche and in
between Electrolux Professional
thermaline and ProThermetic
appliances and external appliances -
provided that these have at least the
same dimensions)

Front

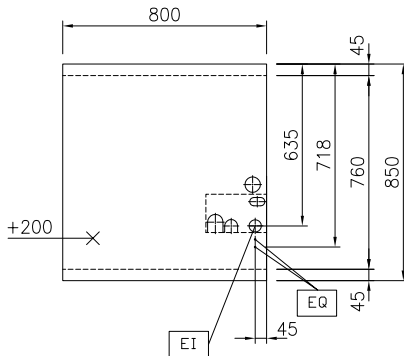


Side



EI = Electrical inlet (power)

Top



Electric

Supply voltage:

588649 (MB0ACAHOBO) 230 V/1N ph/50 Hz

Key Information:

External dimensions, Width: 800 mm

External dimensions, Depth: 850 mm

External dimensions, Height: 450 mm

Cupboard Cavity Dimensions (width): 650 mm

Cupboard Cavity Dimensions (height): 325 mm

Cupboard Cavity Dimensions (depth): 530 mm

Cabinet temperature range: 30-120 °C

Net weight: 44 kg

Sustainability

Current consumption: 4.35 Amps